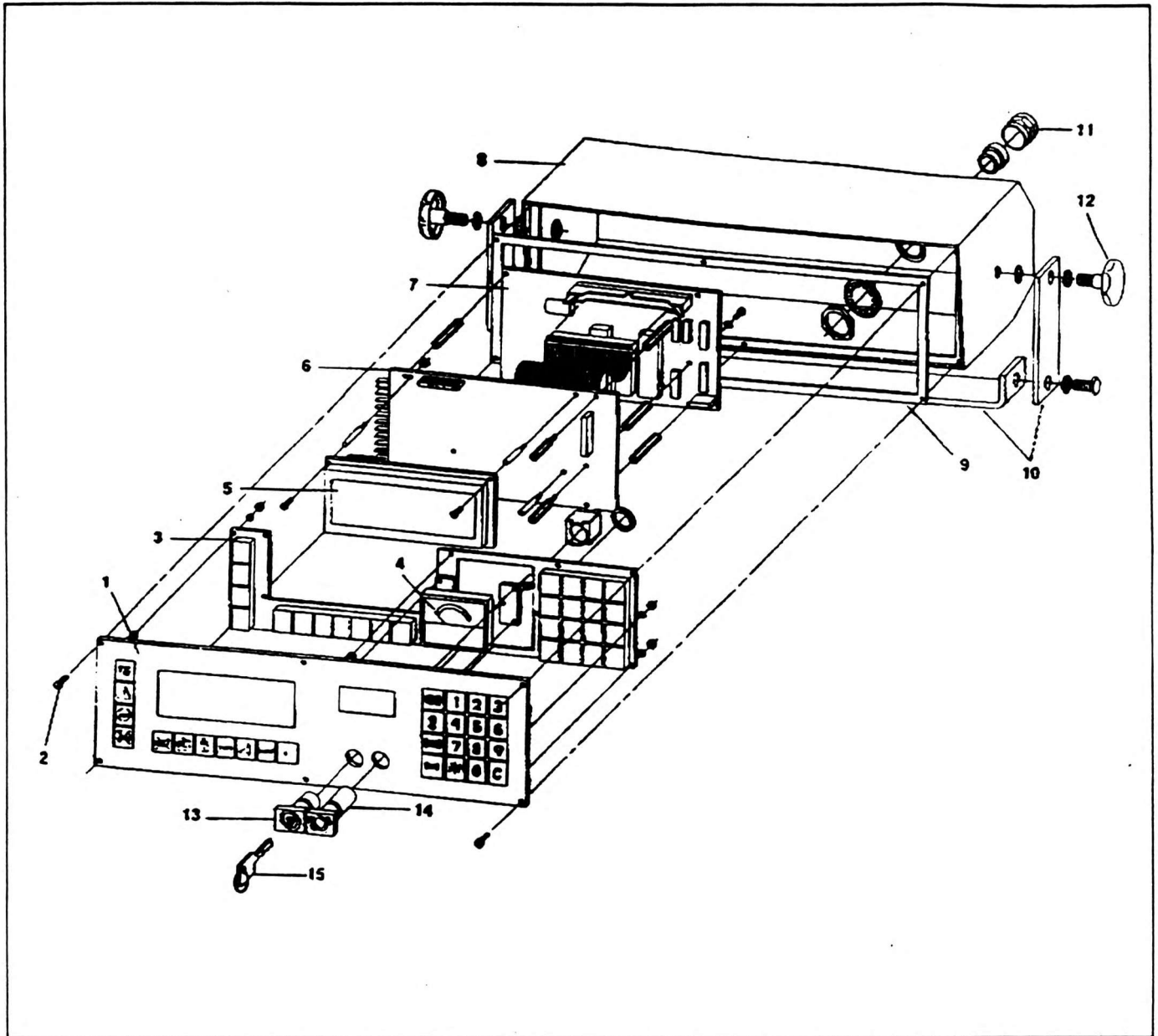


CONSOLE



NO.	PART NO.	QTY.	DESCRIPTION	NO.	PART NO.	QTY.	DESCRIPTION
-	7-679-990189	1	Complete Assembly	13	9-333-101675	1	Key Switch c/w Counter Nut
1	9-333-102184	1	Front Panel C/W Film	14	9-333-101674	1	Buzzer c/w Counter Nut
2	9-333-101689	1	Mounting Set	15	9-333-101691	1	Spare Key
3	9-333-102185	1	Keyboard Module Comp.				
4	9-333-102186	1	Analog Display C/W Illumination				
5	9-333-102187	1	L.C.D. Display Comp.				
6	9-333-102188	1	Terminal Board Comp.				
7	9-333-102189	1	Console Board				
8	9-333-102190	1	Housing W/O Mounting Set				
9	9-333-102191	1	Sealing				
10	9-333-101686	1	Mounting Set Housing				
11	9-333-102192	1	Strain Relief				
12	9-333-101580	1	Adjusting Knob Single				

7-679-990189  
Issue No. 00